

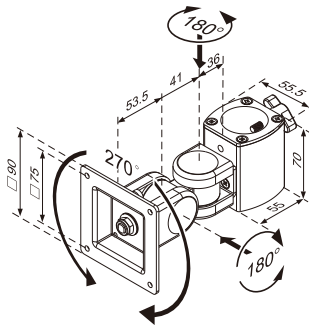
圆柱套入式接屏组件



LA-17QA

VESA 75/100mm

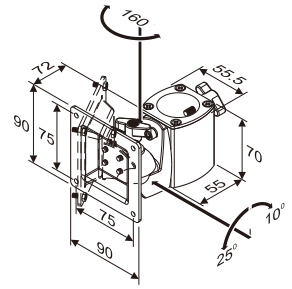
max ~8kgs (17.6lbs)



LA-19QA

VESA 75/100mm

max ~6kgs (13.2lbs)



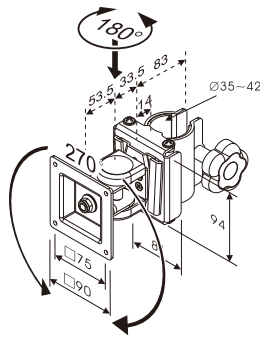
夹具式接屏组件



LA-16SN

VESA 75/100mm

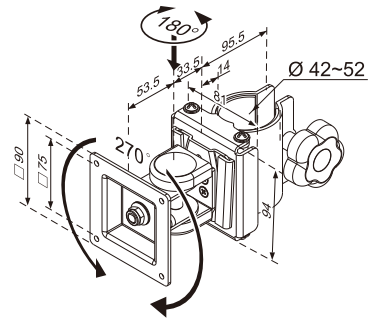
max ~8kgs (17.6lbs)



LA-16SW

VESA 75/100mm

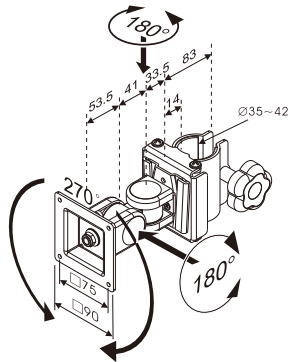
max ~8kgs (17.6lbs)



LA-17SN

VESA 75/100mm

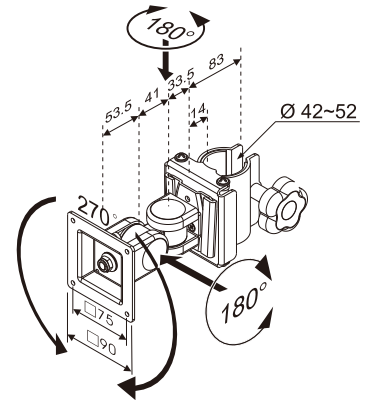
max ~8kgs (17.6lbs)



LA-17SW

VESA 75/100mm

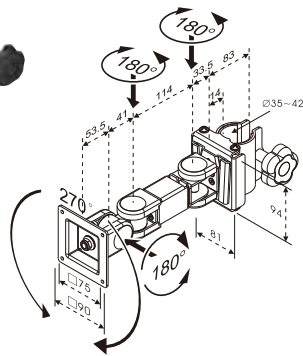
max ~8kgs (17.6lbs)



LA-18SN

VESA 75/100mm

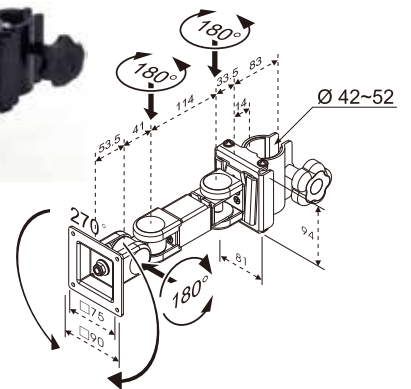
max ~8kgs (17.6lbs)



LA-18SW

VESA 75/100mm

max ~8kgs (17.6lbs)



公司官网



公众号



产品参数